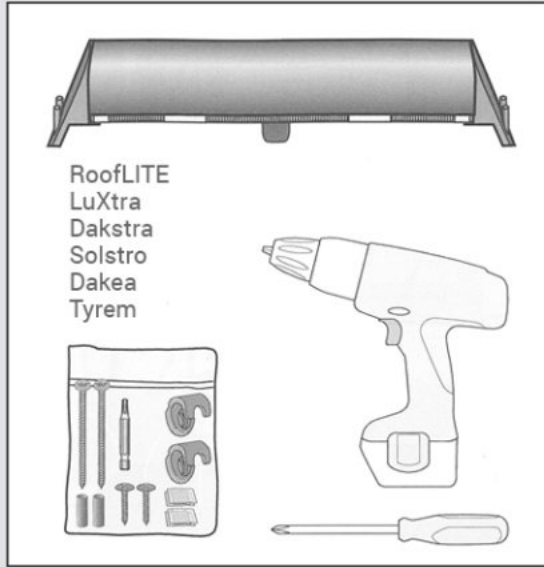


# MIR



RoofLITE, LuXtra, Dakstra, Dakea, Tyrem and Solstro are registered trademarks ©

# LuXtra®

